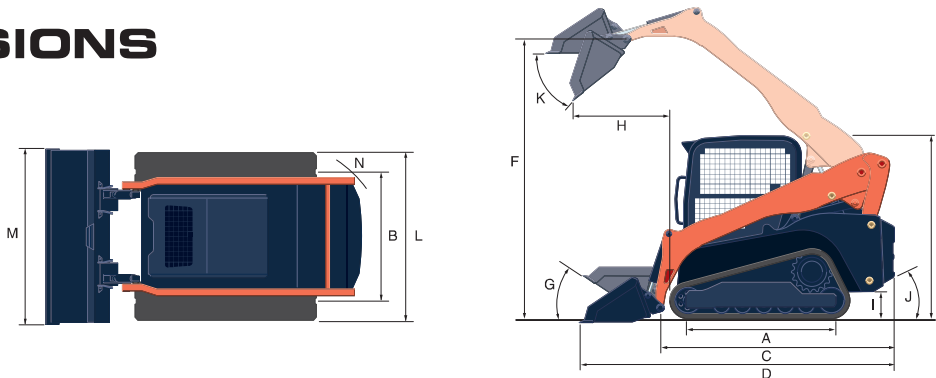


SPECIFICATIONS

Model			SVL75	
Type of operator station			Open CAB / Closed CAB	
Engine	Model		V3307-DI-TE3	
	Gross HP	HP (kW)/rpm	74.3 (55.4)/2400	
	Displacement	cc	3331	
	Cylinders		4	
	Bore × Stroke	mm	94 × 120	
	Aspiration		Turbocharged	
Loader Performance	Rated operating capacity-35% tipping load		kg	1043
	Rated operating capacity-50% tipping load		kg	1490
	Tipping load		kg	2980
	Breakout force	Bucket	kg	2814
		Lift arm	kg	2162
	Lifting capacity		kg	2214
	Lift arm path			Vertical
Undercarriage	Track Width	Standard	mm	320
		Wide	mm	380
	Ground pressure with standard track		psi	5.6 / 5.8
	Ground pressure with wide track		psi	4.7 / 4.9
	Track rollers (per side)			4
	Track ground contact length		mm	1436
	Travel speed	Low	km/h	7.5
		High	km/h	11.5
	Traction force		kg	4390
Min. ground clearance		mm	296	
Hydraulic system	Loader hydraulic flow		ℓ/min.	71.2
	Loader hydraulic pressure		kgf/cm ²	250
	Aux. hydraulic flow	Standard	ℓ/min.	71.2
		High	ℓ/min.	N/A
Service refill capacities	Hydraulic system		ℓ	60
	Hydraulic tank		ℓ	35
	Fuel tank		ℓ	93
Operating weight (Includes operator weight 80 kg)			kg	4100 / 4225

The company reserves the right to change the above specifications without notice. This brochure is for descriptive purposes only. Please contact your local Kubota dealer for warranty information. For your safety, Kubota strongly recommends the use of a Rollover Protective Structure (ROPS) and seat belt in almost all applications.

DIMENSIONS



Model			SVL75	
A	Length of track on ground	mm	1436	
B	Track gauge	mm	1355	
C	Length w/o bucket	mm	2768	
D	Length w/bucket on ground	mm	3576	
E	Height to top of cab	mm	2083	
F	Bucket hinge pin height at max. lift	mm	3025	
G	Rollback angle at carry position	degree	27	
H	Reach at max. lift and dump	mm	1060	
I	Ground clearance	mm	296	
J	Departure angle	degree	31.5	
K	Max. dump angle	degree	40	
L	Vehicle width	mm	1675	
M	Width with bucket	mm	1727	
N	Turning radius from centre-machine rear	mm	2720	